

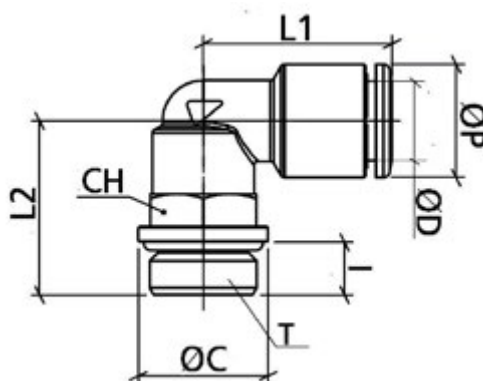
Data Sheet



Article number: 589OTRL10G04

Description: Metal Push-in fitting, elbow- $\text{\O}10$ /G 1/2", w. o-ring
Type: OTRL10G04, Nickel plated brass

Measures



= 10
= G1/2"
= 16
= 25
= 9
= 26
= 27.5
= 16

Weight = 52